

FEATURES

- LOW Cost, High Quality
- Compact Size, Light Weight
- High Performance
- Wide Operation Temperature Range
- Octave and Multi-octave Bands

APPLICATIONS

- Load isolation
- Module integration



SPECIFICATIONS@25°C:

Part Number	Frequency Range (GHz)	Band Width (MHz)	Insertion Loss (dB.Max)	Isolation (dB.Min)	VSWR (Max)	Operating Temperature (°c)	Power Handling (W.FWD)	Case Type
WIS039059G	3.94-5.99	205	0.4	20	1.25	-45~+85	/	WS38
WIS046070G	4.64-7.05	241	0.4	20	1.25	-45~+85	/	WS39
WIS053081G	5.38-8.18	280	0.3	23	1.2	-45~+85	/	WS20
WIS065100G	6.58-10	342	0.3	23	1.2	-45~+85	/	WS01
WIS070074F	7-7.4	Full	0.3	23	1.3	-15~+60	60	TBD
WIS0725500A	7.25-7.75	Full	0.3	23	1.21	-15~+60	/	WS01
WIS072500A	7.25-7.75	Full	0.4	23	1.2	-15~+60	100	WS24
WIS072500B	7.25-7.75	Full	0.3	23	1.2	-15~+60	1	WS01-C
WIS072500C	7.25-7.75	Full	0.3	23	1.2	-15~+60	1	WS01
WIS077084A	7.7-8.4	Full	0.4	20	1.25	-15~+60	20	WS01
WIS079084H	7.9-8.4	Full	0.3	20	1.3	-15~+60	200	WS23
WIS079084F	7.9-8.4	Full	0.3	23	1.2	-15~+60	100	WS01
WIS082125G	8.2-12.5	129	0.3	25	1.2	-45~+85	/	WS40
WIS082125GB	8.2-12.5	430	0.3	23	1.2	-45~+85	/	WS02
WIS090100F	9-10	Full	0.3	23	1.25	-15~+60	30	Y
WIS095105A	9.5-10.5	Full	0.3	23	1.25	-15~+60	30	WS18
WIS098150G	9.84-15	258	0.3	20	1.2	-45~+85	/	WS41
WIS098150GB	9.84-15	516	0.3	23	1.2	-45~+85	/	WS03
WIS107127A	10.7-12.7	Full	0.4	20	1.25	-15~+60	30	WS19
WIS10702050A	10.7-12.75	Full	0.3	23	1.2	-15~+60	/	WS03
WIS10702050B	10.7-12.75	Full	0.2	28	1.2	-15~+60	/	WS44
WIS119180G	11.9-18	305	0.3	23	1.2	-45~+85	/	WS04
WIS119180GB	11.9-18	610	0.3	23	1.2	-45~+85	/	WS21
WIS12200550A	12.2-12.75	Full	0.25	25	1.2	-15~+60	100	WS19



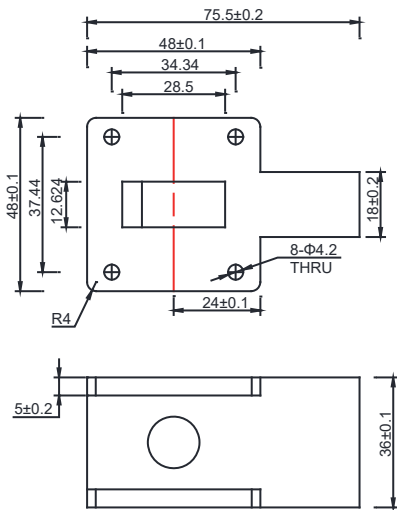
WAVEGUIDE ISOLATOR

Part Number	Frequency Range (GHz)	Band Width (MHz)	Insertion Loss (dB.Max)	Isolation (dB.Min)	VSWR (Max)	Operating Temperature (°c)	Power Handling (W.FWD)	Case Type
WIS137145F	13.75-14.5	Full	0.3	23	1.25	-15~+60	100	WR37
WIS139140F	13.9-14	Full	0.4	20	1.3	-15~+60	10	WS25
WIS139140A	13.9-14	Full	0.8	22	1.3	-15~+60	10	WS26
WIS139143F	13.9-14.3	Full	0.4	20	1.3	-40~+80	10	WS25
WIS139143A	13.9-14.3	Full	0.8	22	1.3	-40~+80	10	WS26
WIS140145F	14-14.5	Full	0.4	20	1.25	-15~+60	30	WS23
WIS143154A	14.3-15.45	Full	0.4	20	1.2	-15~+60	30	WS04
WIS145220G	14.5-22	750	0.3	20	1.2	-45~+85	/	WS05
WIS147153F	14.7-15.3	Full	0.3	23	1.2	-15~+60	30	WS27
WIS155165F	15.5-16.5	Full	0.3	20	1.2	-15~+60	25	WS27
WIS172192F	17.2-19.2	Full	0.4	18	1.3	-15~+60	/	WS05
WIS175185F	17.5-18.5	Full	0.3	20	1.25	-15~+60	30	WS33
WIS176267G	17.6-26.7	910	0.4	18	1.3	-45~+85	/	WS22
WIS176267GB	17.6-26.7	910	0.4	20	1.2	-45~+85	/	WS06
WIS192212F	19.2-21.2	Full	0.4	20	1.25	-15~+60	/	WS13
WIA212222F	21.2-22.2	Full	0.4	23	1.2	-15~+60	10	WS13
WIS217330G	21.7-22	904	0.4	20	1.2	-45~+85	/	WS07
WIS220310F	22-31	Full	0.4	16	1.4	-15~+60	/	WR36
WIS264401G	26.4-40.1	685	0.4	20	1.25	-45~+85	/	WS08
WIS264401GB	26.4-40.1	1096	0.4	20	1.25	-45~+85	/	WS14
WIS265400F	26.5-40	Full	0.6	17	1.3	-20~+60	7	WS28
WIS260400F	26.5-40	Full	0.8	1.5	1.45	-20~+60	5	WS29
WIS270300F	27-30	Full	0.5	18	1.3	-15~+60	20	WS14
WIS290310F	29-31	Full	0.4	18	1.3	-15~+60	30	WS17
WIS300310B	30-31	Full	0.5	18	1.25	-15~+60	20	WS17
WIS300310F	30-31	Full	0.4	20	1.25	-15~+60	20	WS17
WIS330501G	33-50.1	855	0.4	20	1.25	-45~+85	/	WS09
WIS393597G	39.3-57.9	816	0.4	20	1.25	-45~+85	/	WS10
WIS34620M	34.072-35.168	Full	0.4	20	1.25	-15~+60	5	WS08
WIS430460F	43-46	Full	0.5	18	1.3	-15~+60	5	WR31
WIS580600F	58-60	Full	0.7	18	1.3	-15~+60	1	WR30
WIS605920G	60.5-92	315	0.8	18	1.3	-45~+85	/	WS42
WIS7381120G	73.8-112	764	1	18	1.3	-45~+85	/	WS11

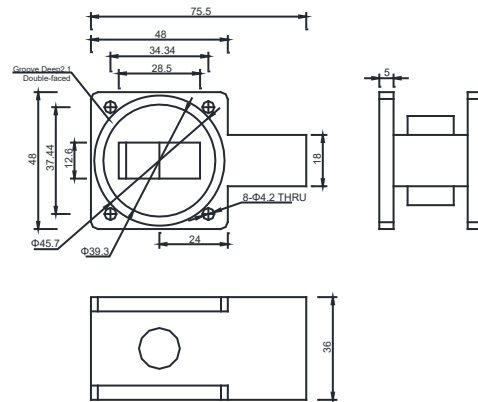


WAVEGUIDE ISOLATOR

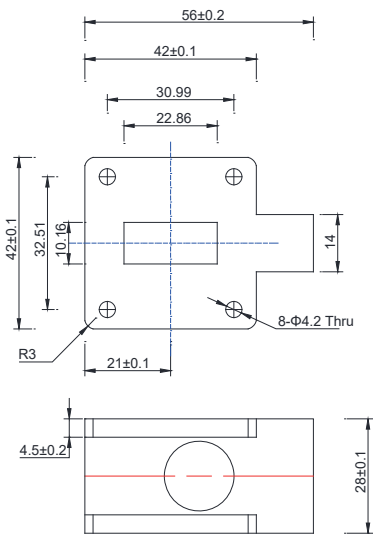
Part Number	Frequency Range (GHz)	Band Width (MHz)	Insertion Loss (dB.Max)	Isolation (dB.Min)	VSWR (Max)	Operating Temperature (°c)	Power Handling (W.FWD)	Case Type
WIS890910F	89-91	Full	1	18	1.3	-15~+60	2 Ave.	WS11
WIS895905F	89.5-90.5	Full	1	18	1.3	-15~+60	2 Ave.	WS11



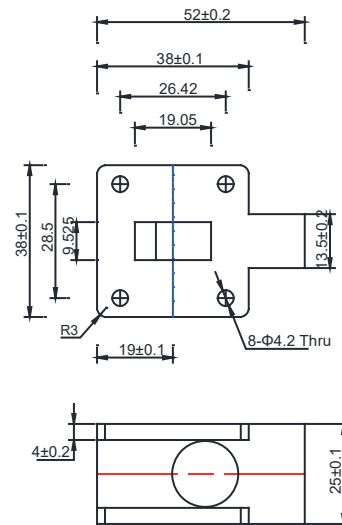
WS01



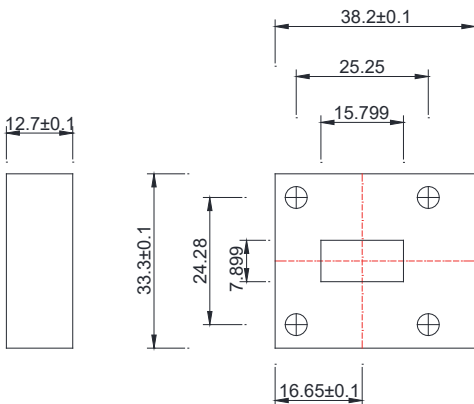
WS01-C



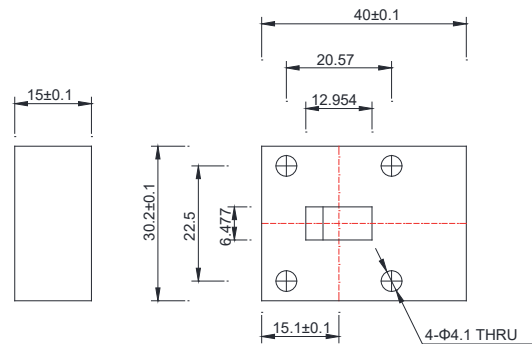
WS02



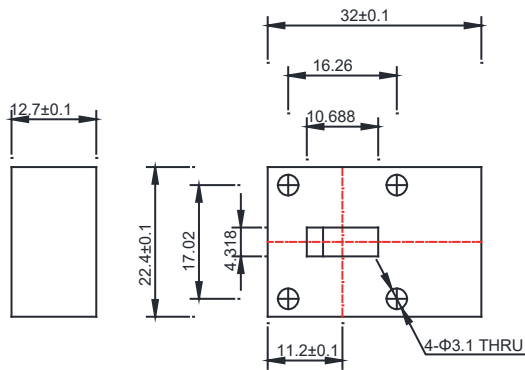
WS03



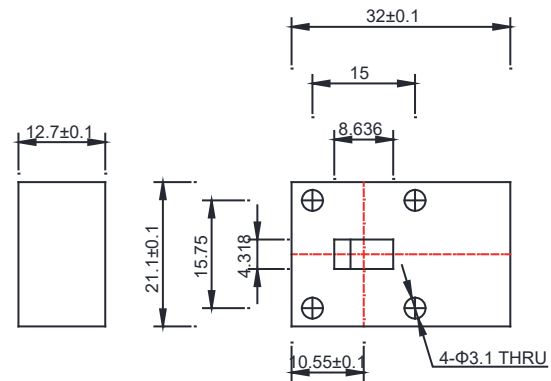
WS04



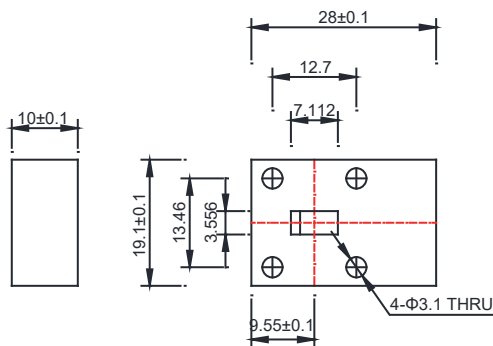
WS05



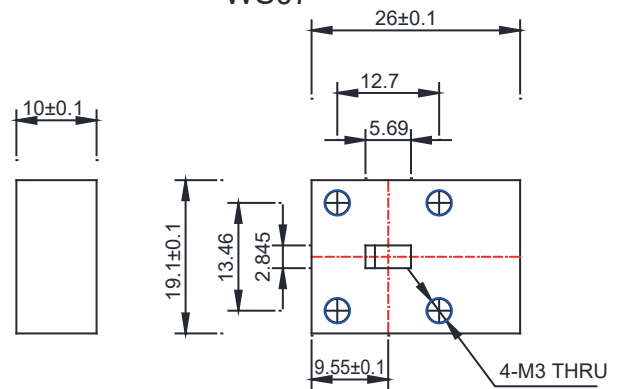
WS06



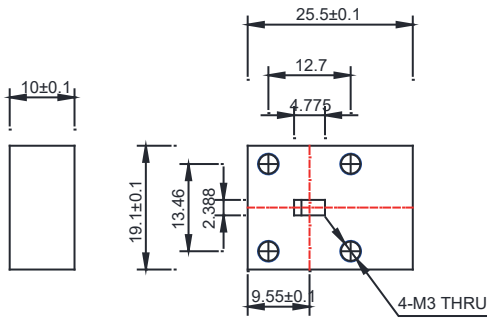
WS07



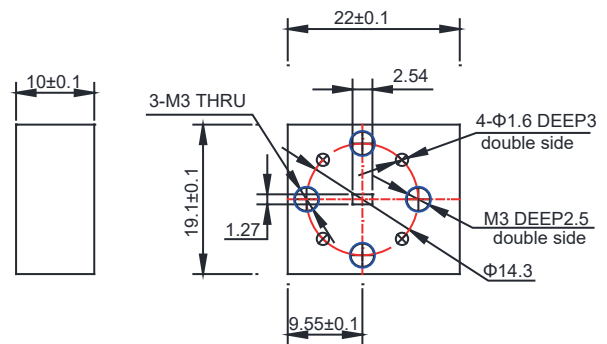
WS08



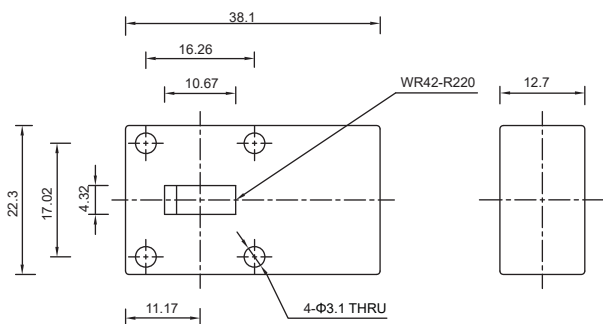
WS09



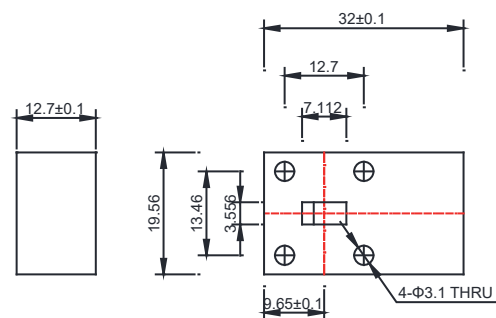
WS10



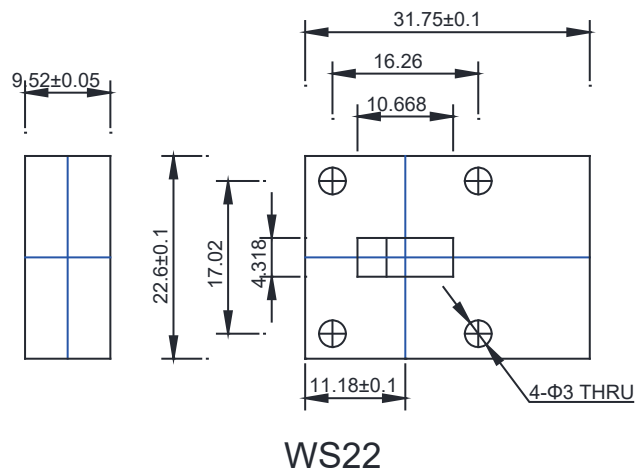
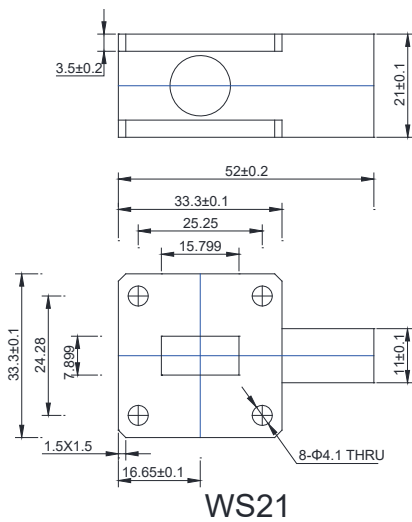
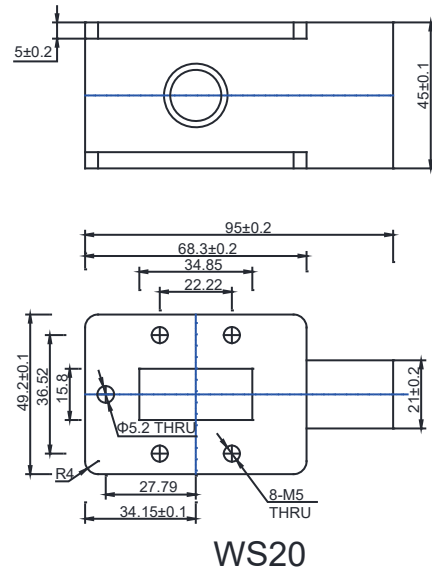
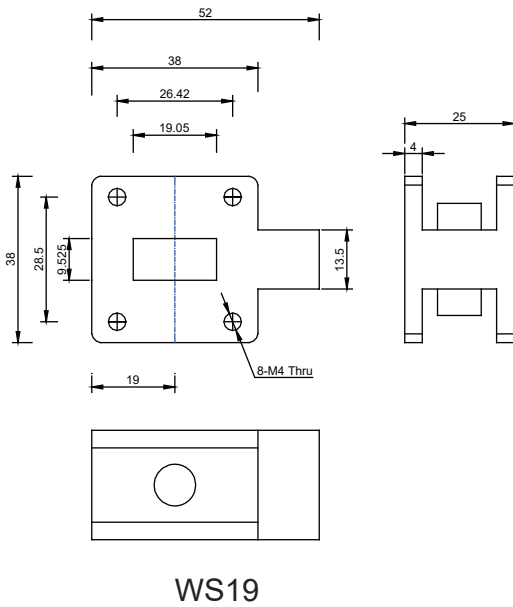
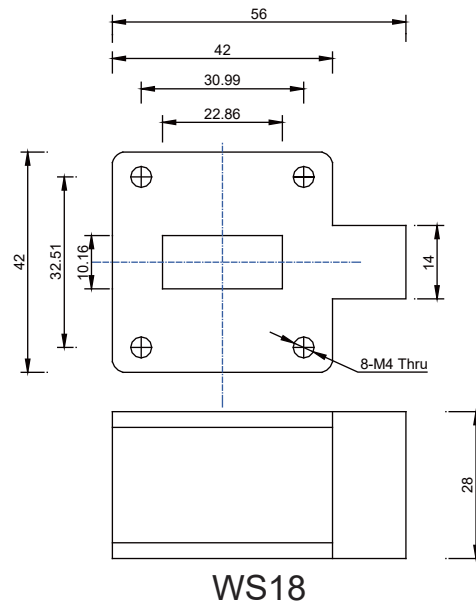
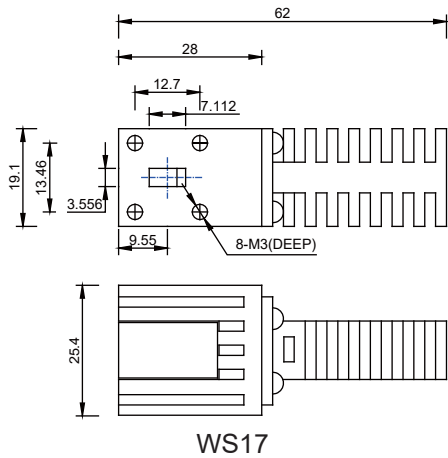
WS11

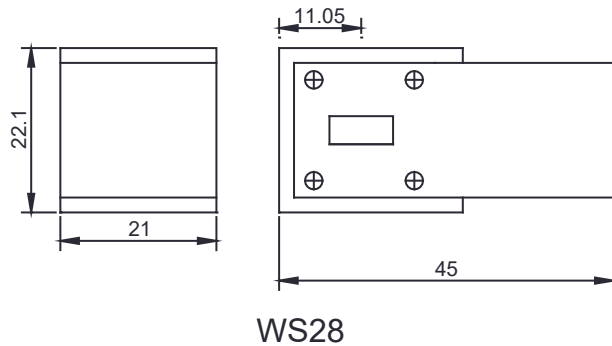
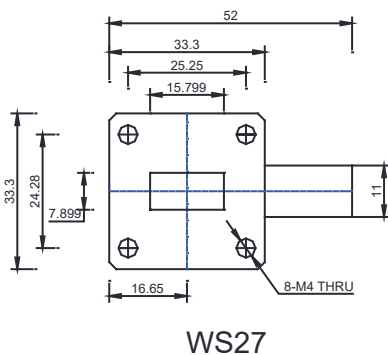
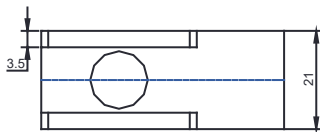
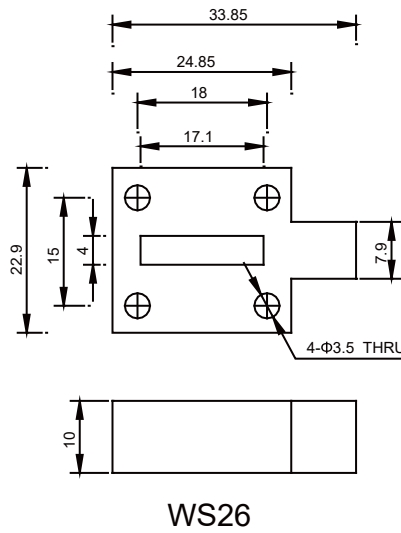
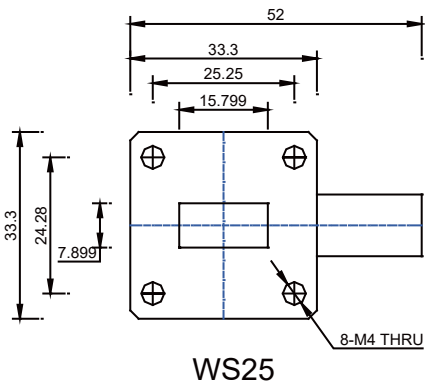
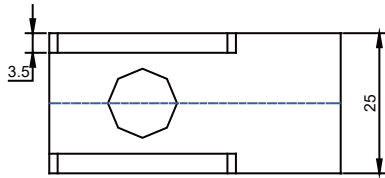
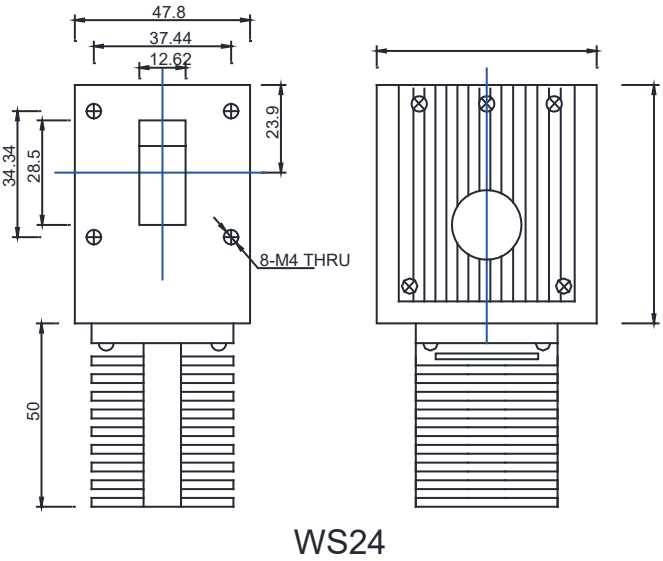
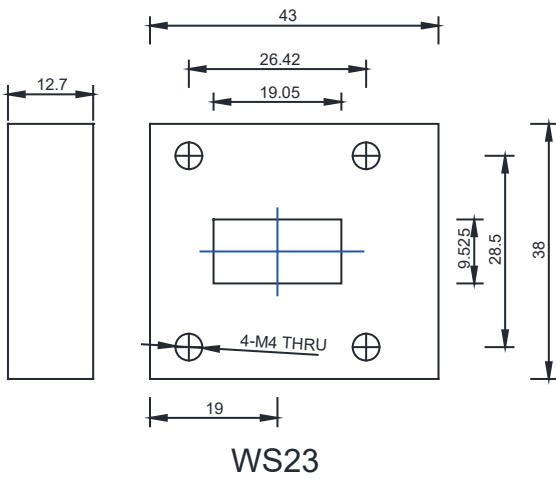


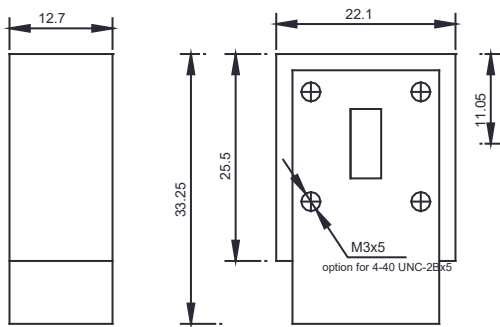
WS13



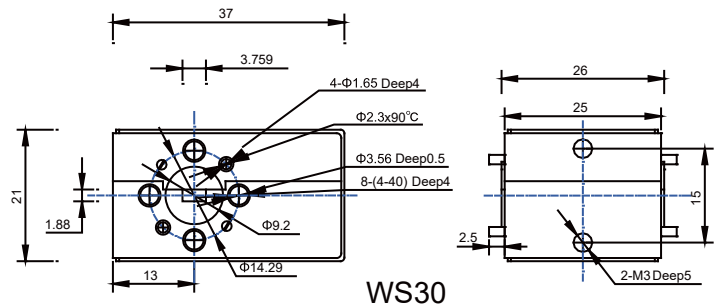
WS14



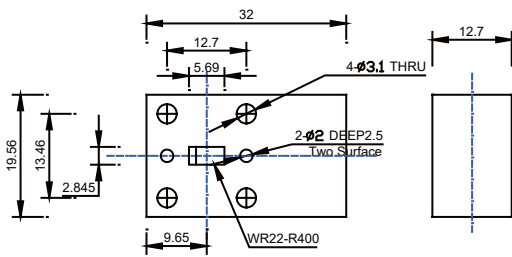




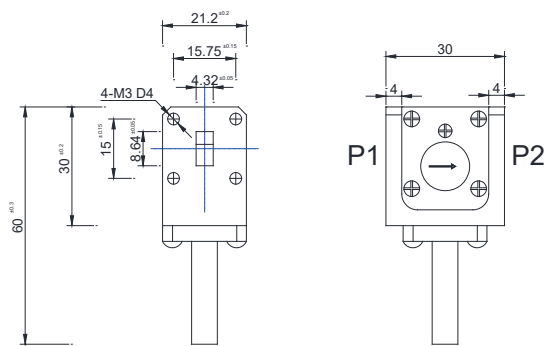
WS29



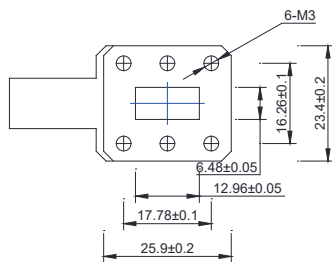
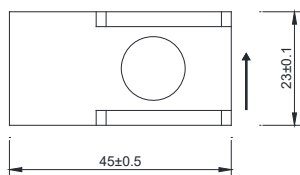
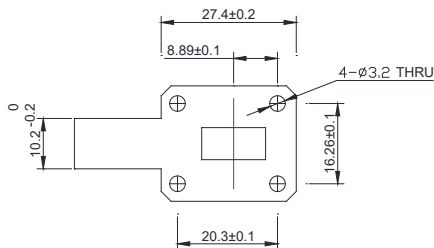
WS30



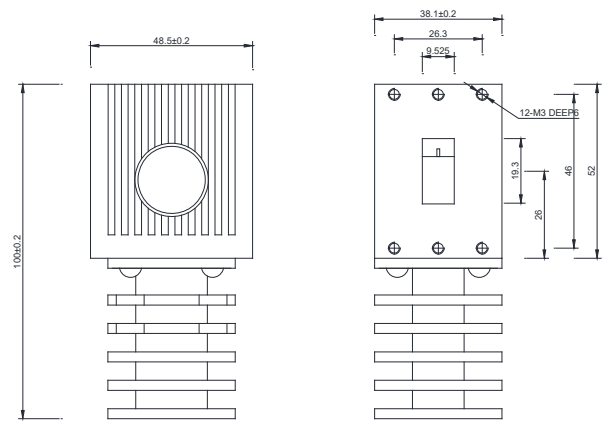
WR31



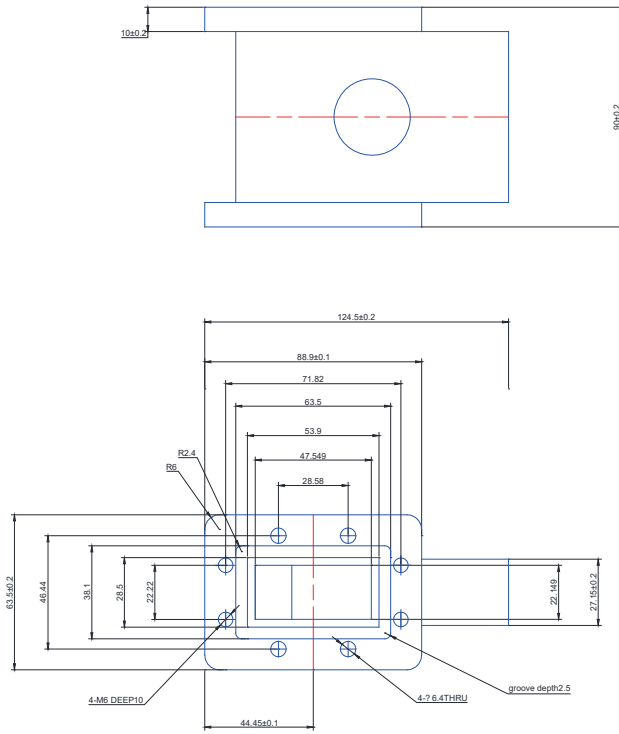
WS36



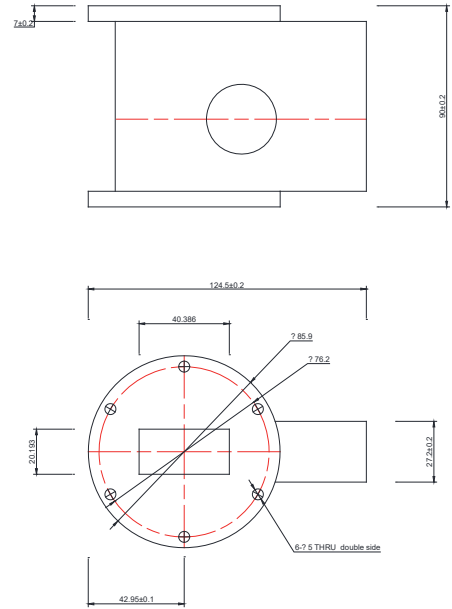
WS33



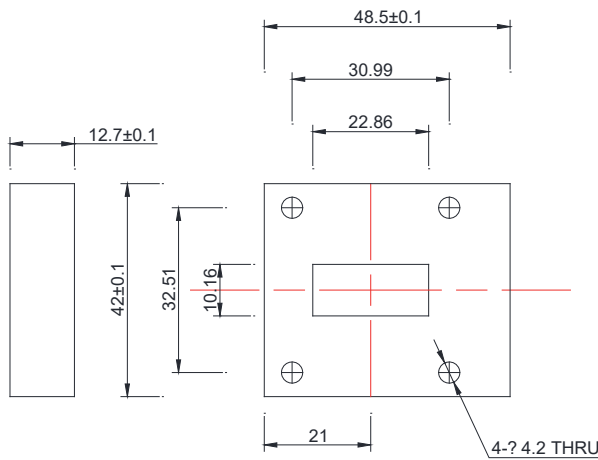
WS37



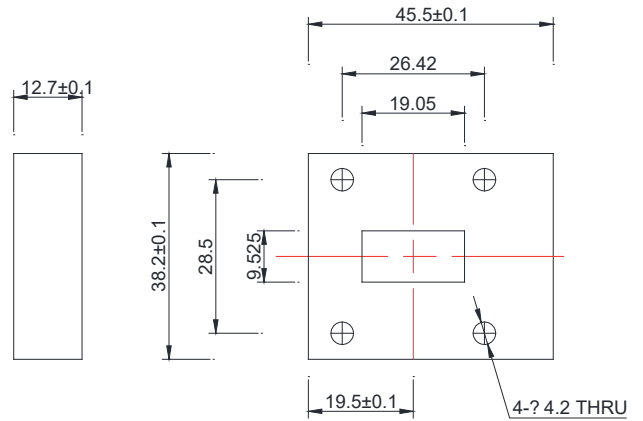
WS38



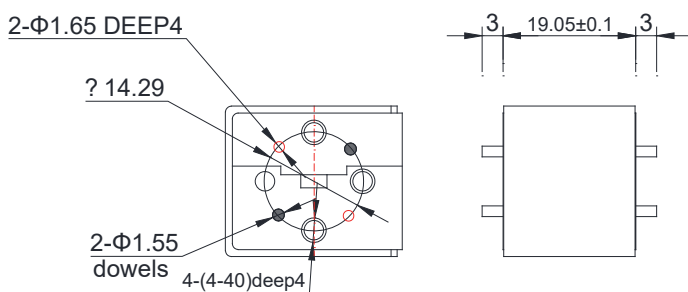
WS39



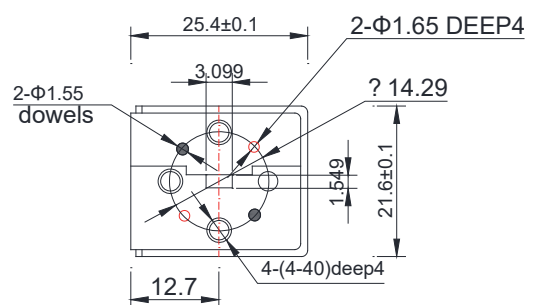
WS40

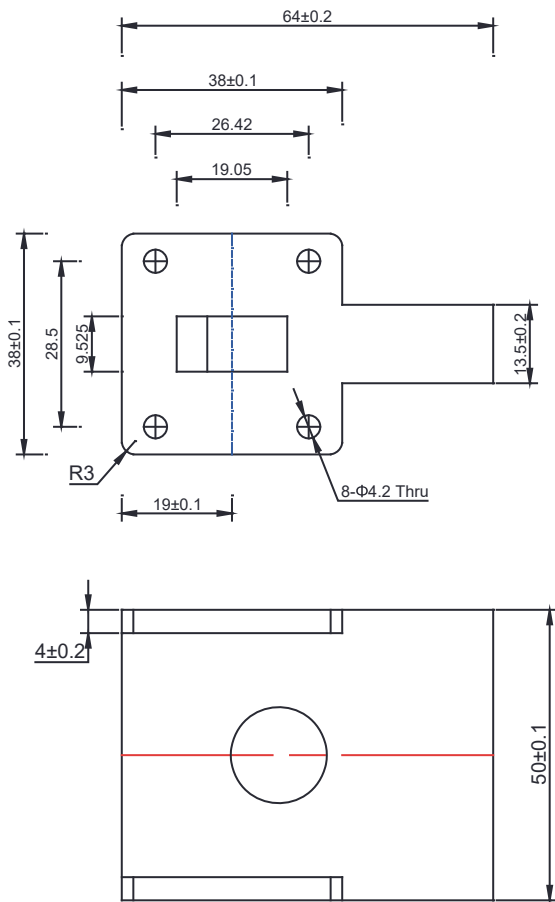


WS41



WS42





WS44